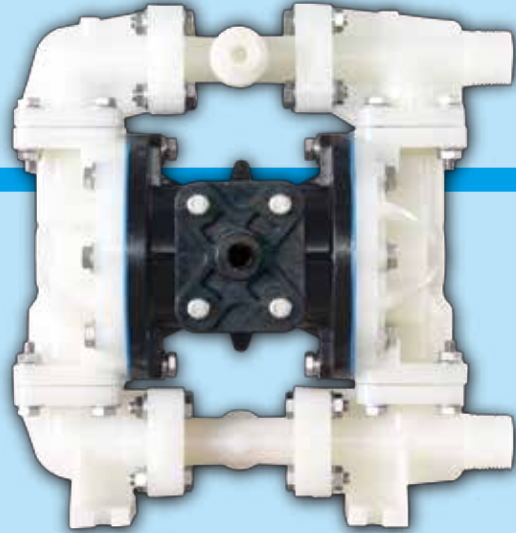


SKYLINK AODD PUMP

PS15 PLASTIC PUMP

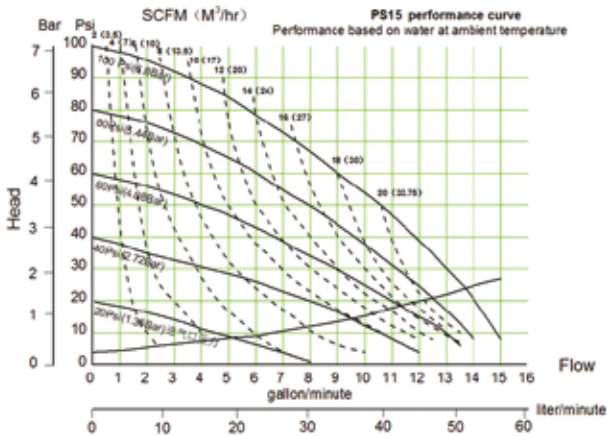


TECHNICAL PARAMETERS

Air inlet port : 1/4" (F)
Suction port : 1/2" (F)
Discharge port : 1/2" (F)

Capacity : 52 lpm (13.5 gpm)
Displacement : 0.15 l (0.04 gallon)
Fluid pressure (max) : 6.9 bar (100 psi)
Solids size(max) : 3mm (0.125")

Self-suction height : dry 3.5m (12 ft)
wet 9.0m (30 ft)
Compressed air pressure : 1.4 to 6.9 bar (20 to 100 psi)
Working pressure : 120°C (250 °F)
Weight : 5.5kg (PP) / 7.2kg (PVDF)

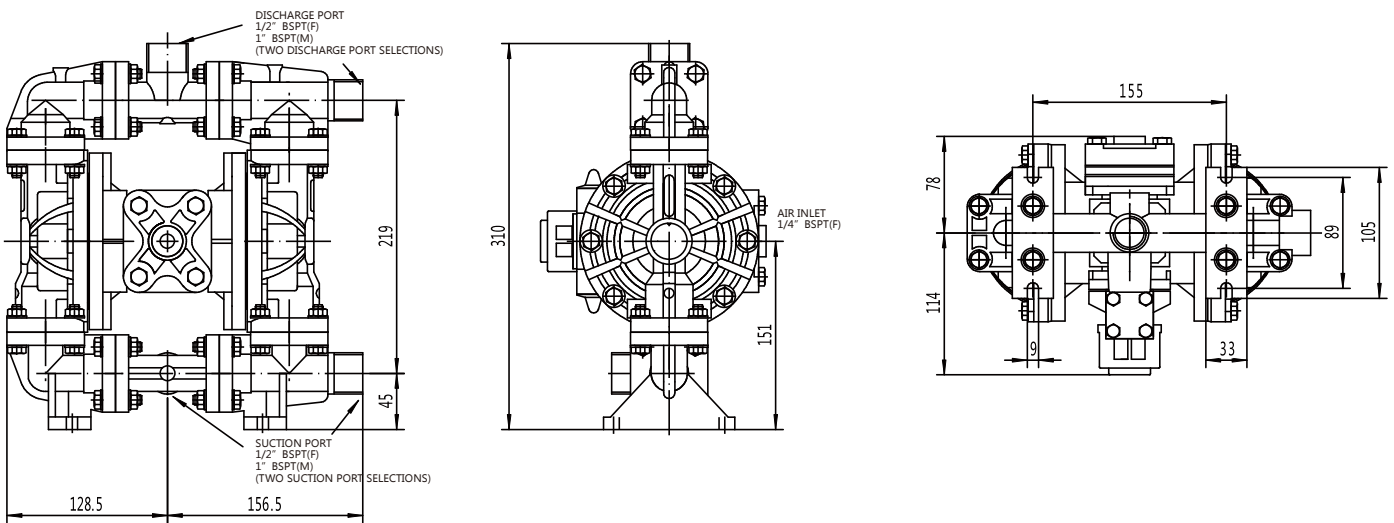


MATERIALS OF IMMERSION

- ▶ HOUSING : sulan、 PVDF
- ▶ DIAPHRAGM: santoprene、 PTFE
- ▶ BALL: santoprene、 PTFE
- ▶ BALL SEAT: sulan、 santoprene、 PTFE

MATERIALS OF NON IMMERSION

- ▶ resin coated aluminum alloy、 PTFE coated aluminum alloy、 stainless steel



PS15 Spare parts

Fluid parts kit	teflon diaphragm fluid parts kit	0015.8600pt	teflon ball valve	0015.6154	4
			teflon ball seat	0025.6040p	4
			teflon diaphragm	0015.8654	2
			santoprene diaphragm	0015.8658	2
	santoprene diaphragm fluid parts kit	0015.8600ps	santoprene ball valve	0015.6158	4
			santoprene ball seat	0015.6040p	4
			santoprene diaphragm	0015.8658	2
	polychloroprene diaphragm fluid parts kit	0015.8600pn	polychloroprene ball valve	0015.6152	4
			polychloroprene ball seat	0015.6040p	4
			polychloroprene diaphragm	0015.8652	2
	NBR diaphragm fluid parts kit	0015.8600pb	NBR ball valve	0015.6151	4
			NBR ball seat	0025.6040p	4
			NBR diaphragm	0015.8651	2
	Fluororubber diaphragm fluid parts kit	0015.8600pv	fluororubber ball valve	0015.6153	4
			fluororubber ball seat	0025.6040p	4
			fluororubber diaphragm	0015.8653	2
Air parts kit	0015.0000		air valve cover O-ring	0015.1200	6
			distribution valve spool O-ring	0000.6952	3
			distribution valve cover O-ring	0000.7052	6
			U-type ring	0015.6452	2
			thimble O-ring	0012.6252	2