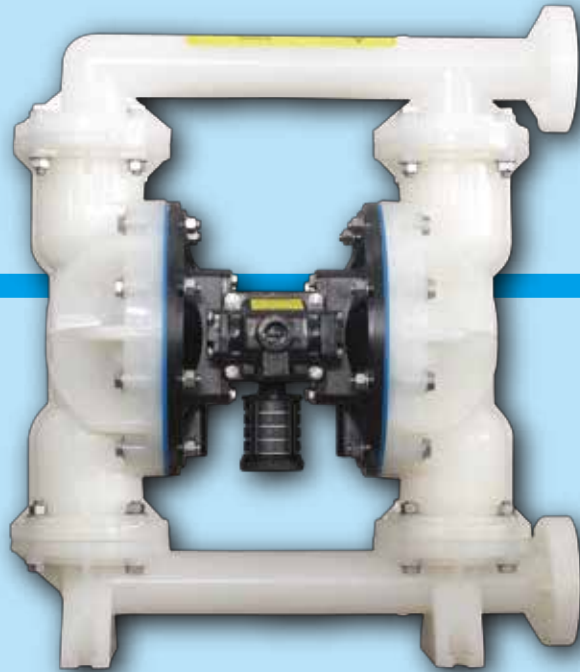


# SKYLINK A000 PUMP

## PS40

PLASTIC PUMP

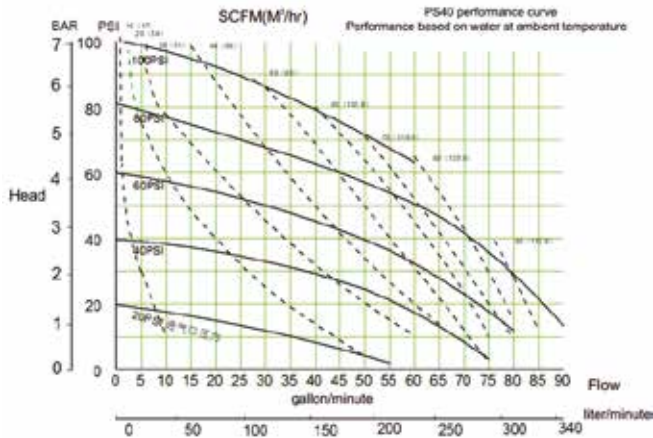


### TECHNICAL PARAMETERS

Air inlet port : 3/4" (F)  
Suction port : 1 1/2" (FLANGE)  
Discharge port : 1 1/2" (FLANGE)

Capacity : 340 lpm (90 gpm)  
Displacement : 1.29 l (0.34 gallon)  
Fluid pressure (max) : 6.9 bar (100 psi)  
Solids size(max) : 6.3mm (0.25" )

Self - suction height : dry 3.5m (12 ft)  
wet 9.0m (30 ft)  
Compressed air pressure : 1.4 to 6.9 bar (20 to 100 psi)  
Working pressure: 120°C (250 °F)  
Weight: 34kg (PP) / 45kg (PVDF)

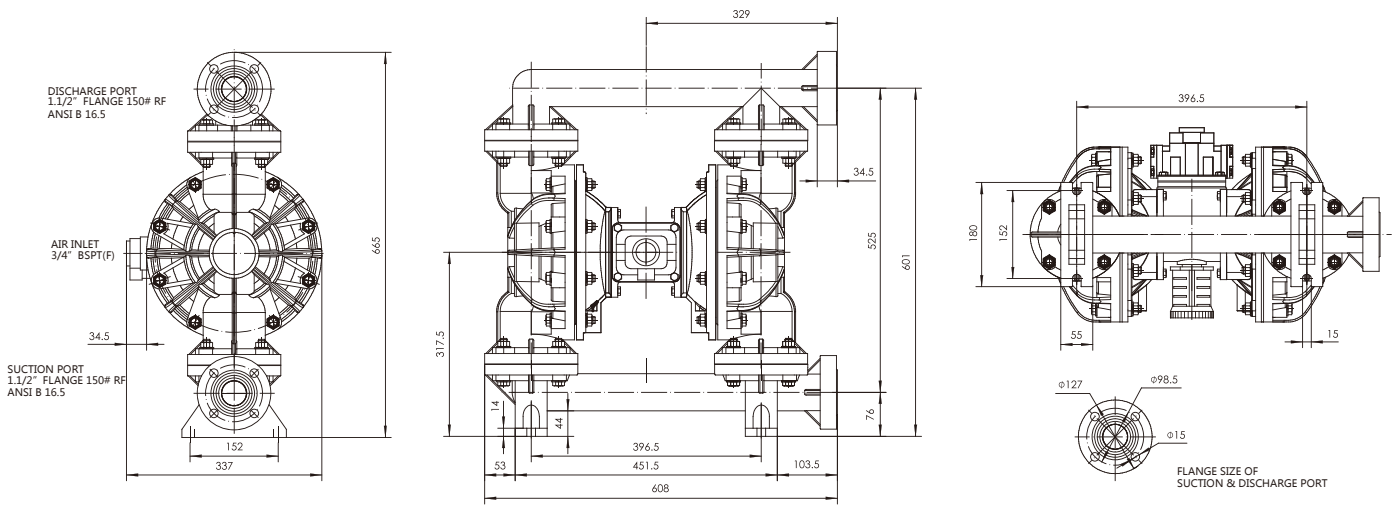


**MATERIALS OF IMMERSION**

- ▶ HOUSING : sulan、 PVDF
- ▶ DIAPHRAGM: santoprene、 PTFE
- ▶ BALL: santoprene、 PTFE
- ▶ BALL SEAT: sulan、 santoprene、 PTFE

**MATERIALS OF NON IMMERSION**

- ▶ resin coated aluminum alloy、 PTFE coated aluminum alloy、 stainless steel



**PS40 Spare parts**

Fluid parts kit	teflon diaphragm fluid parts kit	0040.8600pt	teflon ball valve	0040.6154p	4
			teflon ball seat	0040.6040p	4
			teflon diaphragm	0040.8654p	2
			santoprene diaphragm	0040.8658p	2
	santoprene diaphragm fluid parts kit	0040.8600ps	santoprene ball valve	0040.6158p	4
			santoprene ball seat	0040.6040p	4
			santoprene diaphragm	0040.8658p	2
	polychloroprene diaphragm fluid parts kit	0040.8600pn	polychloroprene ball valve	0040.6152p	4
			polychloroprene ball seat	0040.6040p	4
			polychloroprene diaphragm	0040.8652p	2
	NBR diaphragm fluid parts kit	0040.8600pb	NBR ball valve	0040.6151p	4
			NBR ball seat	0040.6040p	4
			NBR diaphragm	0040.8651p	2
	Fluororubber diaphragm fluid parts kit	0040.8600pv	fluororubber ball valve	0040.6153p	4
			fluororubber ball seat	0040.6040p	4
			fluororubber diaphragm	0040.8653p	2
Air parts kit	0040.0000		air valve cover O-ring	0000.6852	6
			distribution valve spool O-ring	0000.6952	3
			distribution valve cover O-ring	0000.7052	6
			U-type ring	0450.6452	2
			thimble O-ring	0458.3502	2