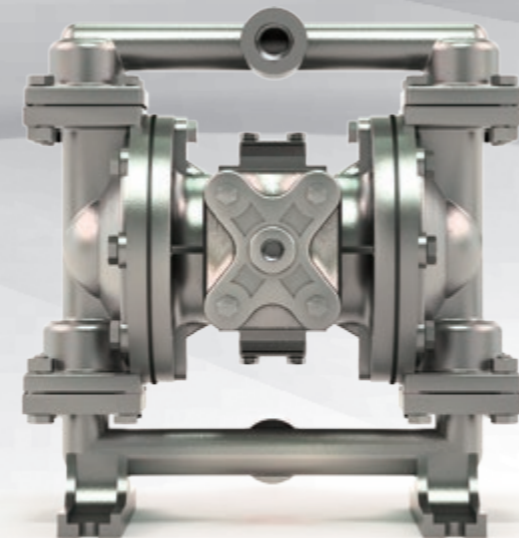


Metal Pump

SK15



Technical Specification

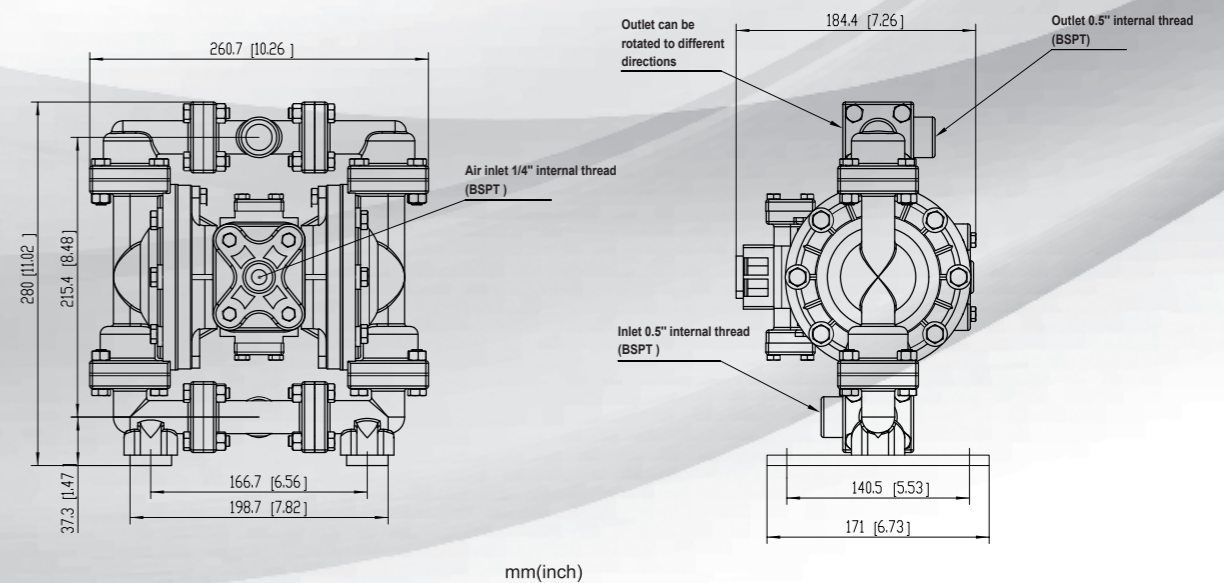
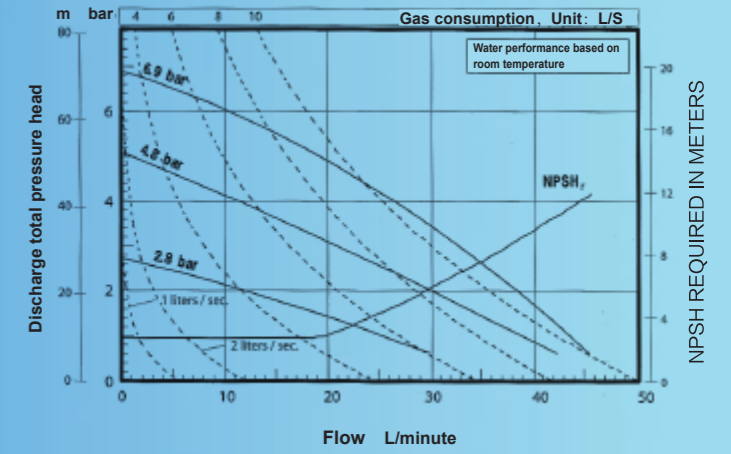
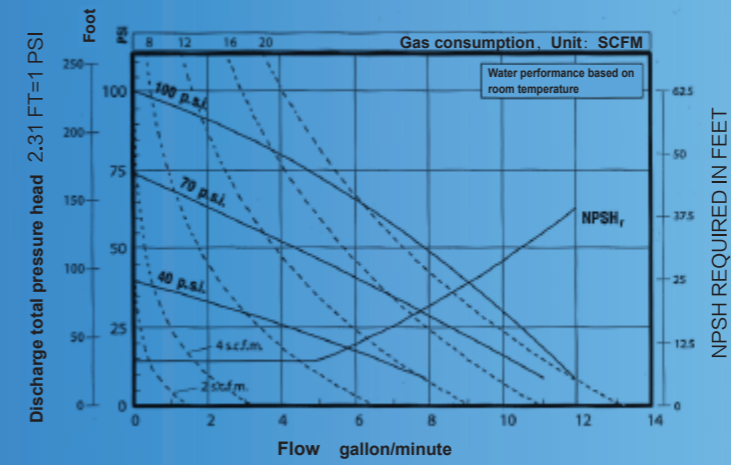
| | |
|---|--------------|
| Maximum flow gallon (liter)/minute | 13.0 (49.2) |
| Output volume of each circulation gallon (liter) | 0.040 (0.15) |
| Air inlet (internal thread) | 1/4" BSPT |
| Fluid inlet (internal thread) | 1/2" BSPT |
| Fluid outlet (internal thread) | 1/2" BSPT |
| Maximum work pressure psi (bar) | 100 (6.9) |
| Maximum diameter of suspended solid particles inch (mm) | 3/32 (2.4mm) |
| Maximum dry suction height foot (m) | 10 (3) |

Structure Material of Immersion Part

| | |
|------------------|--|
| Shell: | aluminum alloy, 316 stainless steel, Hastelloy alloy-C |
| Diaphragm: | Neoprene, Buna-N rubber, Santoprene, PTFE |
| Ball: | Neoprene, Buna-N rubber, Santoprene, PTFE, 316 stainless steel |
| Ball valve seat: | Polypropylene, Santoprene, PTFE, 316 stainless steel |

Structure Material of Non-immersion Part

Resin coating aluminum alloy, nickel-plated aluminum alloy, stainless steel



SK15 Fluid Spare Part Package

| | | |
|--------------------------|---|-----------|
| Fluid Spare Part Package | Teflon diaphragm fluid spare part package | 1015.8604 |
| | Santoprene diaphragm fluid spare part package | 1015.8608 |
| | Fluororubber diaphragm fluid spare part package | 1015.8603 |
| Air spare package | | 0015.0000 |