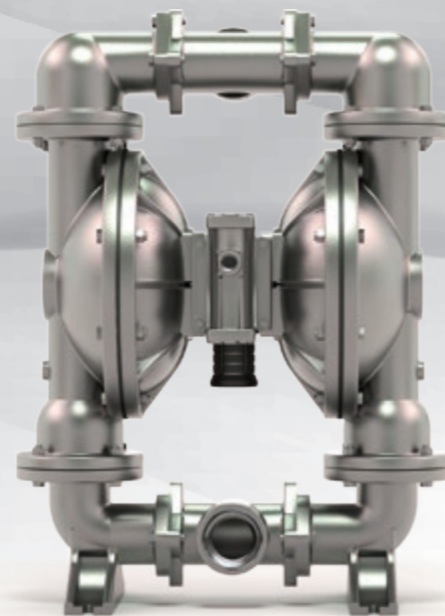


Metal Pump

SK80



Technical Specification

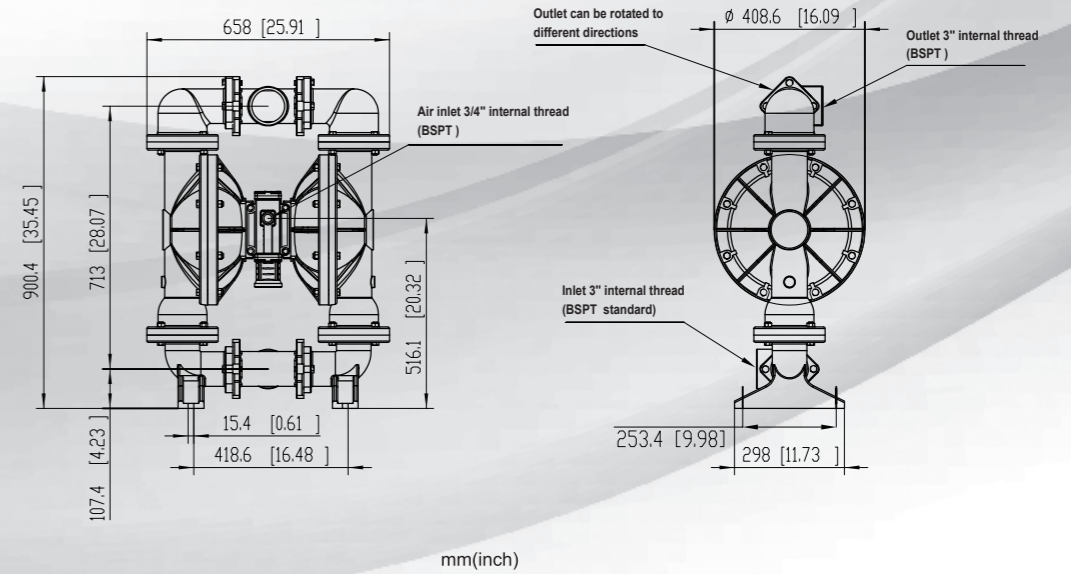
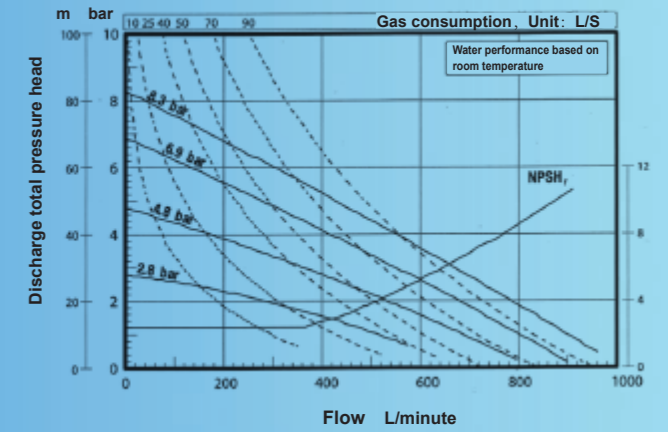
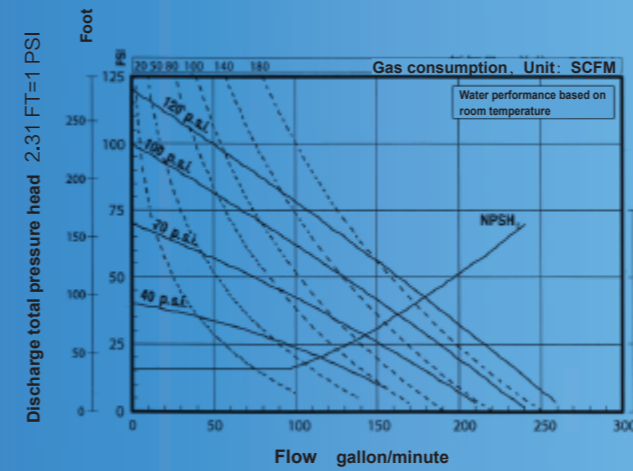
Maximum flow gallon (liter)/minute	260 (988)
Output volume of each circulation gallon (liter)	2.65 (10.03)
Air inlet (internal thread)	3/4" BSPT
Fluid inlet (internal thread)	3" BSPT
Fluid outlet (internal thread)	3" BSPT
Maximum work pressure psi (bar)	125psi (8.6bar)
Maximum diameter of suspended solid particles inch (mm)	7/8" (22mm)
Maximum dry suction height foot (m)	23 (7)

Structure Material of Immersion Part

Shell:	aluminum alloy, cast iron, stainless steel, Hastelloy alloy-C
Diaphragm:	Neoprene, Buna-N rubber, Santoprene, PTFE
Ball:	Neoprene, Buna-N rubber, Santoprene, PTFE, stainless steel
Ball valve seat:	Polypropylene, Santoprene, PTFE, stainless steel

Structure Material of Non-immersion Part

Resin coating aluminum alloy, nickel-plated aluminum alloy, stainless steel



SK80 Fluid Spare Part Package

Fluid Spare Part Package	3" NE fluid spare part package	1080.8002
	3" Teflon Santoprene fluid spare part package	1080.8084
	3" Teflon NE fluid spare part package	1080.8024
	3" Santoprene fluid spare part package	1080.8008
Air spare package package	3" Grid type gas spare part package	1080.9000
	3" Grid type gas spare part package (including air valve and spool of guiding valve)	1080.9001
	3" Slide valve type gas spare part package	1080.9010
	3" Slide valve type gas spare part package (including spool and sleeve of air valve, and spool of guiding valve)	1080.9011
	3" Grid type air-valve spare part package (complete set)	1458.9100
	3" Slide valve type air-valve spare part package (complete set)	1458.9150